

PU: PISTON SEAL FOR PNEUMATIC APPLICATION



Material : Polyurethane

Features :

Piston Seal is a U cup type piston seal made of highly abrasion resistant polyurethane having very thin outer contact lip suitable for low pressure pneumatic application.

Properties :

Low friction due to thin outer lip, High resistance to abrasion, Easy installation.

Application :

Pneumatics tools & equipments, Standard Cylinder.

General Technical Data :

Temperature range: -20 to +100°C

Working Pressure: Up to 16 bar

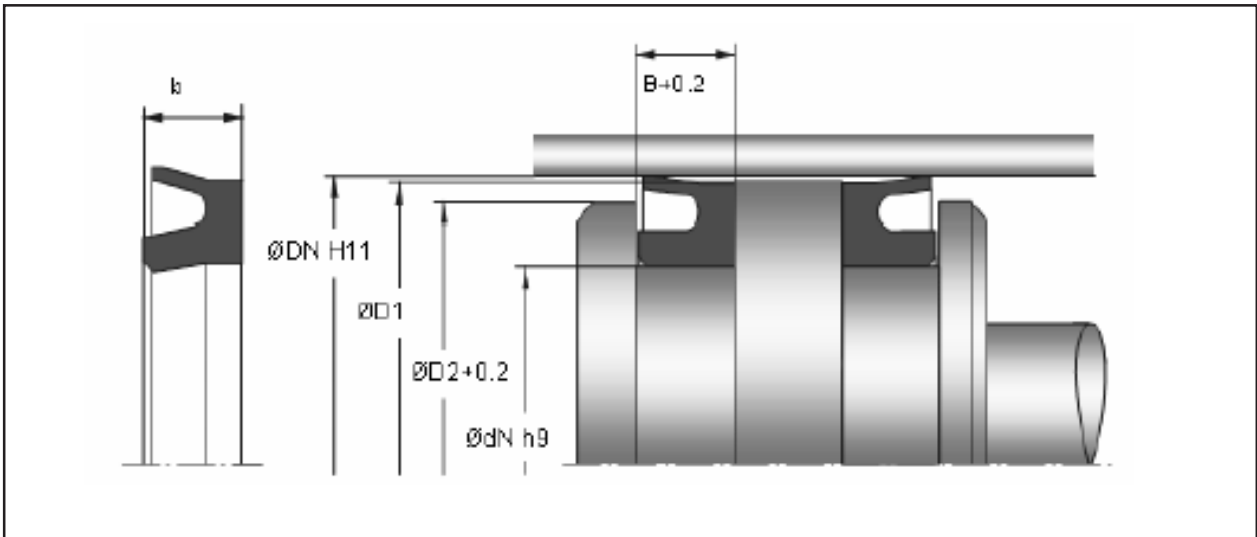
Surface Speed: 0.5 m/s.

Surface finish :

Roughness depth R max R p/Rz t p

Sliding surface $\leq 4 \mu\text{m} < 0,5 (25\% R \text{ max}) = 50\% - 75\%$

Bottom of groove $\leq 10 \mu\text{m} < 0.5$



dN	DN	D1	D2	b	B
17.0	25.0	24.8	24.0	5.5	6.0
24.0	32.0	31.7	30.5	5.5	6.0
30.0	40.0	39.7	38.5	7.0	7.5
35.0	45.0	44.6	43.5	7.0	7.5
40.0	50.0	49.6	48.5	7.0	7.5
50.0	60.0	59.6	58.5	7.0	7.5
53.0	63.0	62.6	61.5	7.0	7.5
58.0	70.0	69.6	68.5	8.5	9.5
68.0	80.0	79.6	78.5	8.5	9.5
78.0	90.0	89.6	88.5	8.5	9.5
88.0	100.0	99.5	98.0	8.5	9.5
110.0	125.0	124.3	123.0	10.0	11.0
135.0	150.0	149.3	148.0	10.0	11.0
145.0	160.0	159.3	158.0	10.0	11.0
180.0	200.0	199.0	198.0	11.0	12.0

Note : Prices for above seals will be available on request.

Gurudev says -

**When you meditate or when you pray,
when you are in the space of vastness,
calmness and love, you emit certain vibration -
and these vibrations are not limited to you or your environment.**

**You are not just bringing a harmony within yourself,
but you are influencing the subtle layers of creation.**

**Your prayer transcends physical reality and touches all those minds
or the bodies of souls which are outside your physical reality,
reaching the subtle bodies of all the different levels of existence in creation.**

Sri Sri Ravishankar

Gurudev Says :

Getting lost in the scenes outside is the cause for bondage. Not getting lost, the mind is free.

Sri Sri Ravishankar