

**PU: ROD SEAL FOR LOW PRESSURE PNEUMATIC APPLICATION**



**Material :**  
Polyurethane

**Features:**

Rod Seal is a double lip seal made of highly abrasion resistant polyurethane for dual function of rod seal as well as wiper seal mainly used in pneumatic application.

**Properties :**

Low friction due to thin outer lip, High resistance to abrasion, Easy installation.

**Application :**

Pneumatics tools & equipments

**General Technical Data :**

Temperature range: -20 to +100°C

Working Pressure: Up to 16 bar

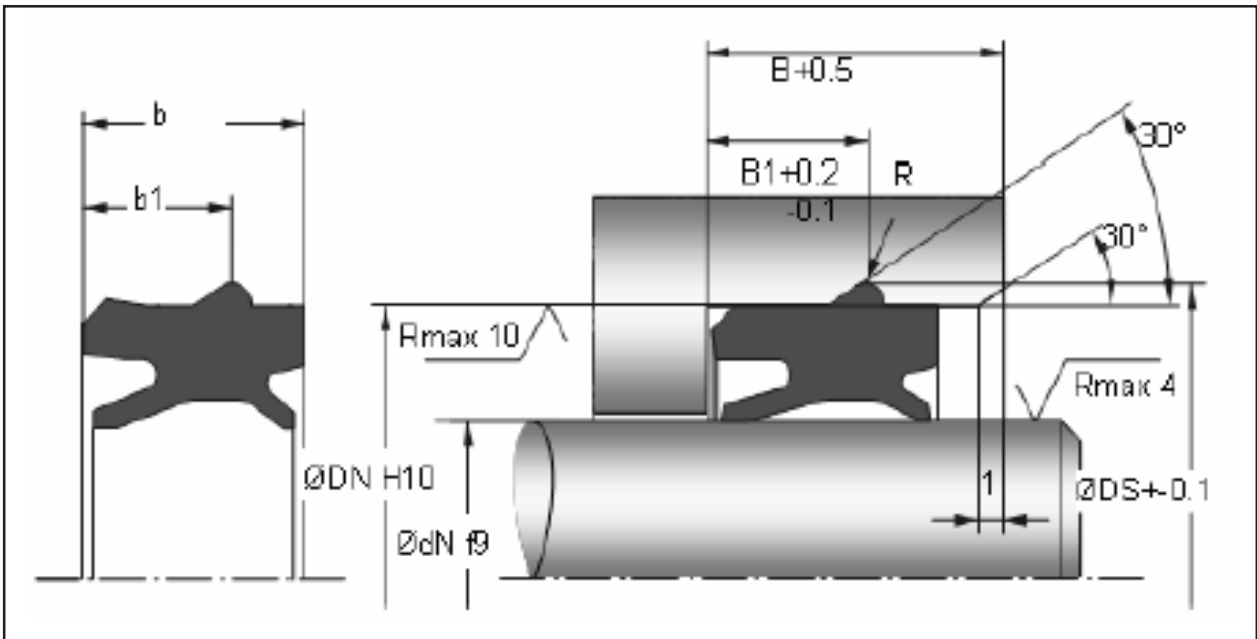
Surface Speed: 0.5 m/s.

**Surface finish :**

Roughness depth R max R p/Rz t p

Sliding surface  $\leq 4 \mu\text{m} < 0,5$  (25% R max) = 50 % - 75 %

Bottom of groove  $\leq 10 \mu\text{m} < 0.5$



Dn f9 x DN H10 x b	Price	Dn f9 x DN H10 x b	Price
12 x 19 x 10	270.00	25 x 35 x 11.2	360.00
12 x 20 x 10.7	270.00	30 x 40 x 10.5	405.00
12 x 22 x 10.5	270.00	30 x 40 x 11.2	405.00
14 x 24 x 10.5	270.00	32 x 42 x 10.5	405.00
16 x 26 x 10.5	270.00	32 x 42 x 11.2	405.00
18 x 26 x 10.7	270.00	35 x 45 x 10.5	480.00
18 x 28 x 10.5	270.00	40 x 50 x 10.5	480.00
20 x 30 x 10.5	270.00	40 x 50 x 11.2	480.00
22 x 30 x 10.7	270.00	50 x 60 x 10.5	480.00
22 x 32 x 10.5	300.00	50 x 60 x 12.2	480.00
22 x 32 x 11.2	300.00	63 x 75 x 13	630.00
25 x 35 x 10.5	360.00	70 x 82 x 13	675.00

**Note :**

dN - means Inner Dia of the Rod Seal.

DN - means Outer Dia of the Rod Seal.

b/b1 - means Hight (Thickness) of the Rod Seal.