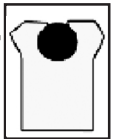


PU: SEAL FOR ROD AND PISTON



Features:

This is a single acting U cup type seal used for both piston and rod seal.

Composition:

Main seal Polyurethane.
Energizer o ring NBR

Properties :

High resistance to abrasion, Easy installation, Anti-extrusion ring prevent extrusion in high pressure conditions.

Application :

Mobile Hydraulics, Injection molding machines, Machine tools, Agricultural equipment, Standard cylinders.

General Technical Data :

Working Pressure: Up to 400 Bar
Temperature range: -30 to 100°C
Surface Speed: 0.5 m/s.

Surface finish :

Roughness depth R max R a
Sliding surface = $\leq 2,5 \mu\text{m}$ 0,05-0,3 μm
Bottom of groove = $\leq 6,3 \mu\text{m}$ = $\leq 1,6 \mu\text{m}$
Sides of groove = $\leq 15 \mu\text{m}$ = $\leq 3 \mu\text{m}$

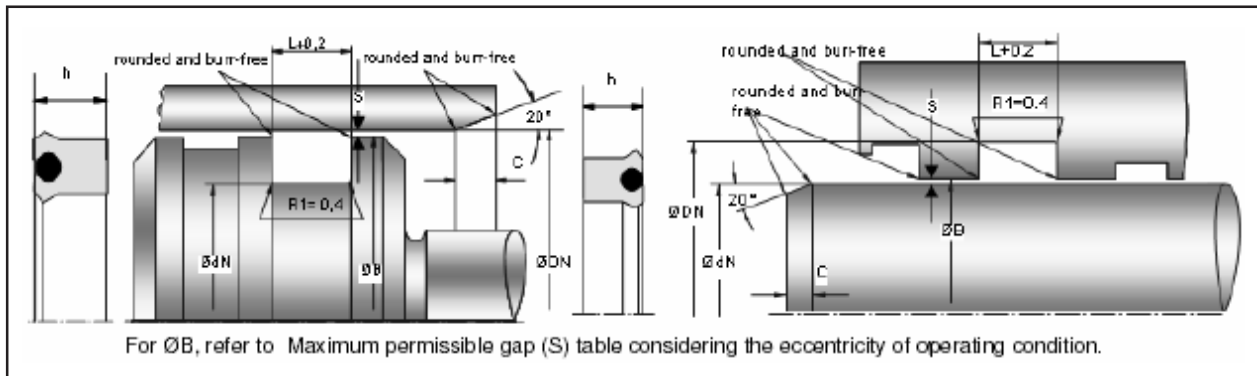
Extrusion Gap dimension:

The gap dimension on the non-pressurised side of the seal is decisive for sealing function. Figures show the maximum permissible gap all on one side using the maximum clearance \varnothing and min rod \varnothing .

Maximum permissible gap (S)
160 bar 260 bar 320 bar 400 bar
0.5 0.4 0.35 0.3

Minimum chamfer C:

DN - dN Up to 8 8.1 to 10 10.1 to 15 15.1 to 20 20.1 to 25 25.1 and above
C 4.0 4.5 6.0 7.5 8.0 10.0



dN x DN x h x H+0.2	dN x DN x h x H+0.2	dN x DN x h x H+0.2	dN x DN x h x H+0.2	dN x DN x h x H+0.2
25 x 33 x 5.5 x 6	50.8 x 63.5 x 9.5 x 10.5	65 x 80 x 11.4 x 12.5	82 x 92 x 10 x 11	114 x 124 x 12 x 13
30 x 40 x 7.3 x 8	55 x 65 x 12 x 13	68 x 76 x 9 x 10	85 x 100 x 9 x 10	273.05 x 298.45 x 9.5 x 10.5
35 x 40 x 7.3 x 8	55 x 70 x 9 x 10	70 x 85 x 11.4 x 12.5	86 x 94 x 9 x 10	349.25 x 368.3 x 9.5 x 10.5
38.1 x 50.8 x 9.5 x 10.5	56 x 66 x 10 x 11	70 x 80 x 12 x 13	88 x 98 x 7.3 x 8	374.65 x 393.7 x 9.5 x 10.5
40 x 50 x 7.3 x 8	56 x 71 x 9 x 10	72 x 82 x 10 x 11	94 x 104 x 12 x 13	412.75 x 431.8 x 9.5 x 10.5
40 x 55 x 11.4 x 12.5	60 x 75 x 11.4 x 12.5	75 x 85 x 12 x 13	95.25 x 104.77 x 5.7 x 6.3	
45 x 55 x 7.3 x 8	62 x 72 x 7.3 x 8	75 x 95 x 15 x 16	100 x 110 x 9 x 10	
50 x 65 x 11.4 x 12.5	62 x 72 x 10 x 11	76.2 x 92.07 x 9.5 x 10.5	112 x 122 x 7.3 x 8	

Note :

Prices for above seals will be available on request.

dN - means Inner Dia of the Rod Seal.

DN - means Outer Dia of the Rod Seal.

h/H - means Height (Thickness) of the Rod Seal.

Gurudev Says :

Dispersion does not divide you, in fact, it connects you.
It connects you to the present moment so totally, so you can be 100% in anything you do.

Sri Sri Ravishankar