

PISTON SEAL (DAS SEAL)



Features :

Piston seal profile consists of five piece seal set for sealing pistons with one elastomer sealing component, two anti-extrusion and two angular guide rings.

Composition :

Component Sealing Ring Backup rings L rings

Material :

Nitrile Butadiene Rubber Polyurethane PA+30% GLASS

Properties :

Less space required for seal and guide elements, Prevents distortion inside the groove, Single Piece Piston with one groove, No extrusion into the radial sealing gap, Suitable for rapid energisation, Sealing component protected against twisting, Zero leakage.

Application :

Mobile Hydraulics, Injection moulding machines, Machine tools, Piston Accumulator, Agricultural equipment, Standard cylinders.

General Technical Data :

Working Pressure : Up to 315 Bar

Temperature range : -20 to 100°C

Surface Speed : 0.5 m/s.

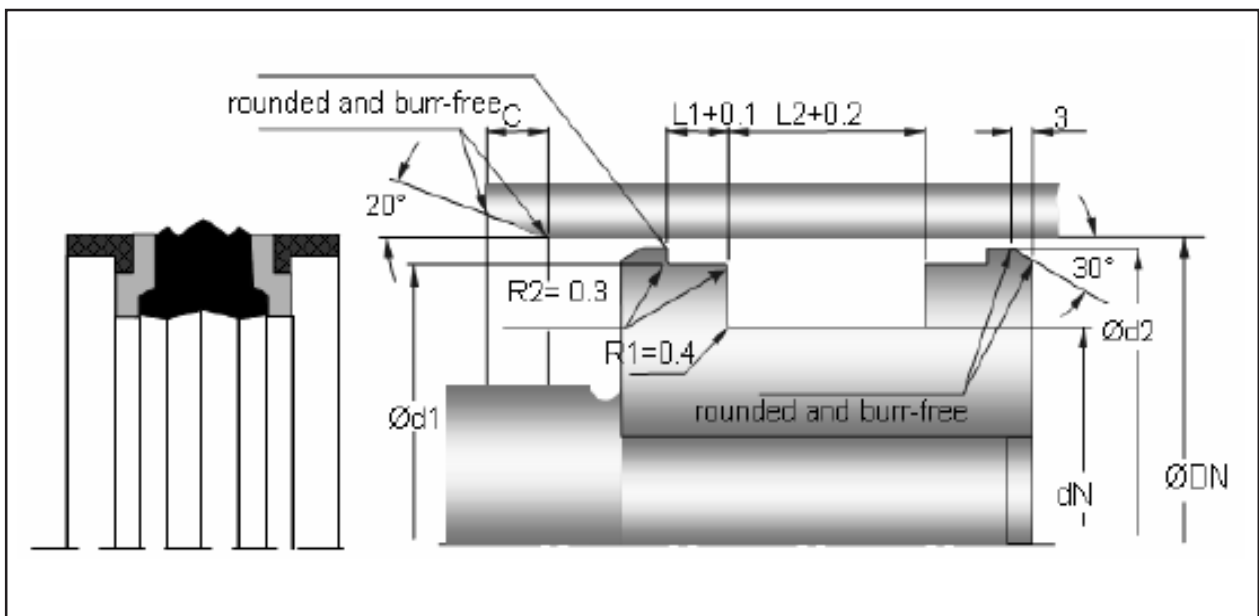
Surface finish :

Roughness depth R max R a

Sliding surface = $\leq 2,5 \mu\text{m}$ $0,05-0,3 \mu\text{m}$

Bottom of groove = $\leq 6,3 \mu\text{m}$ = $\leq 1,6 \mu\text{m}$

Sides of groove = $\leq 15 \mu\text{m}$ = $\leq 3 \mu\text{m}$

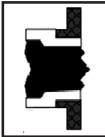


Gurudev Says :

Enlightenment is beyond seasons, like the evergreen coconut tree.

Sri Sri Ravishankar

PISTON SEAL (DAS SEAL)



dN x DN x L2 / L1	PRICE PER NO.	dN x DN x L2 / L1	PRICE PER NO.	dN x DN x L2 / L1	PRICE PER NO.	dN x DN x L2 / L1	PRICE PER NO.
15 x 25 x 12 / 4	324.00	50 x 65 x 18.4 / 6.35	1,275.00	103 x 125 x 26.5 / 5.1	1,269.00	158 x 180 x 26.5 / 5.1	3,600.00
15 x 25 x 12.5 / 4	324.00	50 x 70 x 22.4 / 6.4	756.00	105 x 130 x 25.4 / 6.4	1,728.00	170 x 200 x 35.5 / 6.35	2,970.00
15 x 25 x 16.4 / 6.35	750.00	55 x 75 x 22.4 / 6.4	864.00	105 x 130 x 25.4 / 9.5	1,728.00	170 x 200 x 36 / 12.5	2,970.00
22 x 32 x 16.4 / 6.4	378.00	57.15 x 76.2 x 23.79 / 6.35	864.00	110 x 135 x 25.4 / 6.4	1,782.00	175 x 200 x 25.4 / 12.7	2,970.00
22 x 32 x 18.4	795.00	60 x 80 x 22.4 / 6.4	756.00	110 x 135 x 25.4 / 9.5	2,700.00	185 x 210 x 25.4 / 12.7	3,510.00
24 x 40 x 18.4 / 6.4	459.00	62 x 80 x 22.5 / 3.6	918.00	115 x 140 x 25.4 / 6.4	1,836.00	190 x 220 x 35.4 / 6.35	3,510.00
25 x 35 x 16.4 / 6.35	795.00	65 x 85 x 22.4 / 6.4	1,161.00	115 x 140 x 25.4 / 9.5	2,820.00	195 x 220 x 25.4 / 12.7	3,510.00
26 x 40 x 15.5 / 2.62	795.00	69.85 x 88.9 x 23.79 / 6.35	1,026.00	120 x 145 x 25.4 / 6.4	2,160.00	200 x 220 x 31.5	3,510.00
30 x 40 x 16.4 / 6.4	459.00	70 x 90 x 22.4 / 6.4	1,026.00	120 x 145 x 25.4 / 9.5	2,160.00	200 x 225 x 25.4 / 12.7	3,510.00
30 x 40 x 19.4	795.00	72 x 90 x 22.5 / 3.6	1,134.00	123 x 140 x 26.5	1,890.00	205 x 230 x 25.4	9,000.00
30 x 40 x 19.4	795.00	75 x 95 x 22.4 / 6.4	1,188.00	125 x 150 x 25.4 / 6.4	1,890.00	205 x 230 x 25.4 / 12.7	9,000.00
31 x 45 x 15.5	900.00	75 x 100 x 22.4 / 6.4	918.00	125 x 150 x 25.4 / 9.5	3,000.00	215 x 240 x 25.4	10,500.00
34 x 50 x 20.5 / 3.1	594.00	80 x 100 x 25 / 6.35	918.00	127 x 152.4 x 32.15 / 6.35	3,000.00	215 x 240 x 25.4 / 12.7	10,500.00
34 x 50 x 18.4 / 6.4	459.00	80 x 105 x 22.4 / 6.4	1,296.00	128 x 150 x 26.5 / 5.1	3,000.00	220 x 250 x 35.4 / 6.35	11,400.00
34 x 50 x 19.5	975.00	82 x 100 x 22.5 / 3.6	1,026.00	130 x 160 x 25.4 / 6.4	2,268.00	220 x 250 x 35.4 / 6.35	11,400.00
34.92 x 50.8 x 19.05 / 6.35	975.00	82.55 x 101.6 x 23.79 / 6.35	1,026.00	135 x 160 x 25.4 / 9.5	2,106.00	225 x 250 x 25.4 / 12.7	P.O.R.
35 x 45 x 16.4 / 6.35	945.00	85 x 110 x 22.4	2,055.00	143 x 160 x 26.5	2,106.00	230 x 250 x 31.5	P.O.R.
39 x 55 x 18.4 / 6.4	648.00	85 x 110 x 22.4 / 6.4	1,296.00	145 x 170 x 25.4 / 12.7	2,808.00	250 x 275 x 31.5	P.O.R.
40 x 50	975.00	86 x 100 x 22.5 / 5.2	1,080.00	150 x 175 x 25.4 / 12.7	2,808.00	250 x 280 x 35.4 / 9.52	P.O.R.
44 x 60 x 18.4 / 6.4	702.00	90 x 115 x 22.4 / 6.4	1,404.00	150 x 180 x 35.5 / 6.35	3,600.00	290 x 320 x 36 / 12.7	P.O.R.
44 x 60 x 20.5 / 3.1	702.00	92 x 110 x 22.5 / 3.6	1,404.00	150 x 180 x 36 / 12.5	3,600.00	325 x 350 x 45 / 12.7	P.O.R.
47 x 63 x 18.4 / 6.4	567.00	95 x 120 x 22.4 / 6.4	1,458.00	152.4 x 177.8 x 32.15 / 6.35	2,700.00		
47.62 x 63.5 x 19.05 / 6.35	567.00	100 x 125 x 25.4 / 6.4	1,188.00	155 x 180 x 25.4 / 12.7	2,700.00		
49 x 65 x 20.5 / 3.1	756.00	101.6 x 127 x 32.15 / 6.35	1,188.00	158 x 180 x 22.4	3,600.00		

Note: -

P.O.R. means prices available on request.

dN - means Inner Dia of the DAS Seal. **DN** - means Outer Dia of the DAS Seal.

L2 / L1 - means Height (Thickness) of the DAS Seal.

ANTI VIBRATION MOUNT/PADS



Gurudev Says : "Human" and "Divine" are not two things. "Human" is the outer skin and "Divine" is the inside.

Sri Sri Ravishankar

PISTON SEAL DAS TYPE



Features :

Piston seal profile consists of four piece seal set with one main sealing component, one T shaped energizer ring and two anti-extrusion ring which support the seal on both sides and prevent contamination to the energizer and main seal ring.

Composition : Components Main sealing ring Backup rings T shaped energizer ring

Material : Modified PTFE+Bronze+Glass+MoS2 Polyamide Nitrile Butadiene Rubber (NBR).

Hardness : 68° Shore D 80° Rockwell M 80° Shore A.

Properties :

Double acting, Allow large radial gaps due to backup rings, Very good extrusion reliability, High resistance to abrasion, Low friction, Free of stick-slip, High contact pressure through rubber profile ring, No extrusion into the radial sealing gap.

Application : Mobile Hydraulics, Machine tools, Agricultural equipment, Standard cylinders.

General Technical Data :

Working Pressure: Upto 500 Bar

Temperature range: -20 to 100°C

Surface Speed: 1.5 m/s.

Surface finish :

Roughness depth R max R a

Sliding surface = $\leq 2,5 \mu\text{m}$ 0,05-0,3 μm

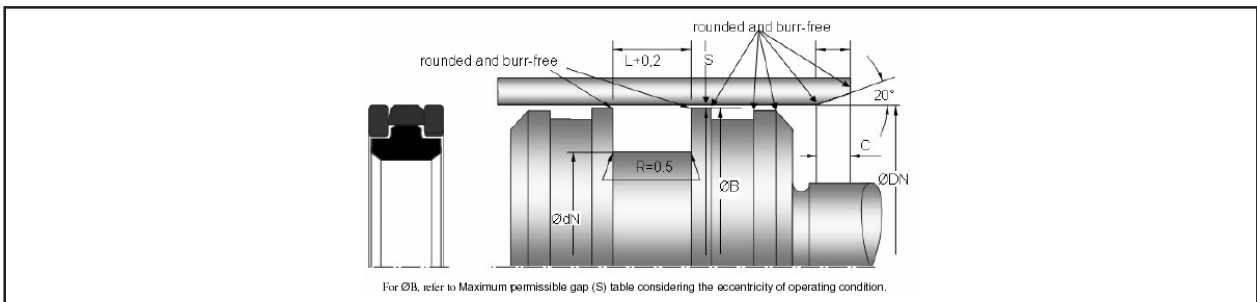
Bottom of groove = $\leq 6,3 \mu\text{m}$ = $\leq 1,6 \mu\text{m}$

Sides of groove = $\leq 15 \mu\text{m}$ = $\leq 3 \mu\text{m}$

Gap dimension : The largest gap dimension appearing in operation on the non-pressurised side of the seal is decisive for sealing function. Figures show the maximum permissible gap all on one side using the minimum clearance \emptyset and max bore \emptyset .

Profile dimension Maximum permissible gap dimension (s)

L	260 bar	400 bar	500 bar
9	0,7	0,4	0,32
11	1,0	0,5	0,4
12.5	1,0	0,5	0,4
16	1,4	0,7	0,5
17.5	1,4	0,7	0,5



dN x DN x L+0.2	Price Per No.	dN x DN x L+0.2	Price Per No.	dN x DN x L+0.2	Price Per No.	dN x DN x L+0.2	Price Per No.
36 x 50 x 9	756.00	90 x 105 x 12.5	1,566.00	137 x 160 x 16	2,970.00	202 x 225 x 16	5,346.00
46 x 60 x 9	891.00	95 x 110 x 12.5	1,647.00	142 x 165 x 16	3,429.00	207 x 230 x 16	5,508.00
48 x 63 x 11	945.00	100 x 115 x 12.5	1,728.00	147 x 170 x 16	3,564.00	217 x 240 x 16	5,751.00
50 x 65 x 11	972.00	105 x 120 x 12.5	1,782.00	157 x 180 x 16	4,266.00	222 x 250 x 17.5	6,696.00
55 x 70 x 11	1,053.00	102 x 125 x 16	2,241.00	162 x 185 x 16	4,455.00	232 x 260 x 17.5	6,993.00
60 x 75 x 11	1,134.00	107 x 130 x 16	2,322.00	167 x 190 x 16	4,509.00	242 x 270 x 17.5	7,290.00
65 x 80 x 11	1,188.00	112 x 135 x 16	2,403.00	182 x 195 x 16	4,617.00	252 x 280 x 17.5	7,587.00
70 x 85 x 11	1,269.00	117 x 140 x 16	2,484.00	177 x 200 x 16	4,752.00	272 x 300 x 17.5	8,910.00
75 x 90 x 11	1,350.00	122 x 145 x 16	2,592.00	187 x 210 x 16	5,049.00	292 x 320 x 17.5	11,457.00
80 x 95 x 11	1,431.00	127 x 150 x 16	2,673.00	192 x 215 x 16	5,211.00	332 x 360 x 17.5	P.O.R.
85 x 100 x 12.5	1,485.00	132 x 155 x 16	2,970.00	197 x 220 x 16	5,211.00		

Note : Prices for the above seals will be available on request.

dN - means Inner Dia of the DAS Seal.

DN - means Outer Dia of the DAS Seal.

L - means Height (Thickness) of the DAS Seal.

Gurudev Says :

When events become big, existence loses its value; when existence becomes big, event loses its value. Events bring you small joy, existence brings you the bliss!

Sri Sri Ravishankar